




Carl-Oskar

This reconditioning instruction applies to the rollator and its available accessories and spare parts.

 To secure that the walking-aid will function safely for the user, once per year review of the walking-aid should be done. Therefore is the following interventions recommended.

Cleaning

Water and a mild detergent are recommended for cleaning. Machine wash at 60°C for 10 minutes can be used, drying maximum 70°C for 10 minutes; observe the post-treatment requirements. Avoid flushing with pressure against bearings (wheels, front forks). **NB:** Do not use white spirit, petrol or other solvents.

Disinfection is performed by qualified personnel with appropriate protective equipment and according to the disinfectant manufacturer's instructions. When cleaning, use a sponge or soft cloth that will not scratch the product. Use an approved chemical disinfectant containing 70-80% ethanol. Do not use abrasive cleaners, chlorine or phenol. If you have any questions about disinfection or suitable disinfectants, please contact Human Care.

Post treatment

After washing, all connections, tight spaces and drainage holes should be blown dry and sprayed with thin oil. If degreaser is used, should the moving parts be lubricated.

The Paint

Control damages to the paint. To prevent corrosion, improve scratches. Touch-up paint can be ordered from Human Care HC AB.

Pipe frame

Control weldings and screw attaches. If the corrosion is extensive shall the rollator be replaced.

Handle

Must be fixed. Make sure the handle pipes can be pushed down to the chassis. Change the grip if needed.

Brakes

Control that both brakes and parkingbrakes are working. Wires should be intact and stapled to the chassis.



Wing nut
Control function.

Reflectors
Make sure the reflectors are still there and visible.

CE-marking
Make sure that the CE-marking is still there and readable.

Wheels
Make sure the wheels are not worn-out and are spinning easily without any noise.

Lubrication
Gatebushings and hinges should be working without any noise. Lubricate when needed.

Front forks
Make sure that the ball bearings is firmly attached. Check the front fork inertia by allowing the wheel to swing between 3 and 9 o'clock. Both wheels shall swing 3 to 10 times with max 2 swings difference between each wheel. The inertia can be adjusted by adjusting the nut on the top under the hub cover. **Note!** The nut on the inside of the fork must not be touched.

Folding mechanism
Should be intact and the locking should function.

Seat
Make sure the seat is kept in place and screws are tightened.

Stability
Control that all wheels are steadily on the ground and that there are no chassis distortion.

Test driving
Make a final control by test driving.





Note!

Recondition must be done by a person who has good knowledge about how the job should be performed. An incorrectly performed recondition could result in an accident/incident. Don't hesitate to contact your retailer if questions come up.

To ensure safe usage of the product, only original parts should be used, these have been developed and tested against current product standards. It is only with original parts that the warranty and CE labeling is valid.

When disassembling a wheel, the wheel nut and pin bolt must be replaced since they contain a self-locking that will be destroyed when disassembling.

If the corrosion is more than a film of rust the rollator shall be discarded and return for recycling.

Intended use

The rollator should only be used as support whilst walking or as seating whilst stationary. Do not alter the rollator yourself.

Specific instructions for reinforced Carl-Oskar.

Unique spareparts for reinforced Carl-Oskar models are listed in the bottom of the sparepart list. These spareparts are strictly intended for use together with the above mentioned products. Please note that other spare parts in the list might not be suitable for these products.

Product number:
Owner:
Notes:
Attended by:
Place and date:

Spareparts list

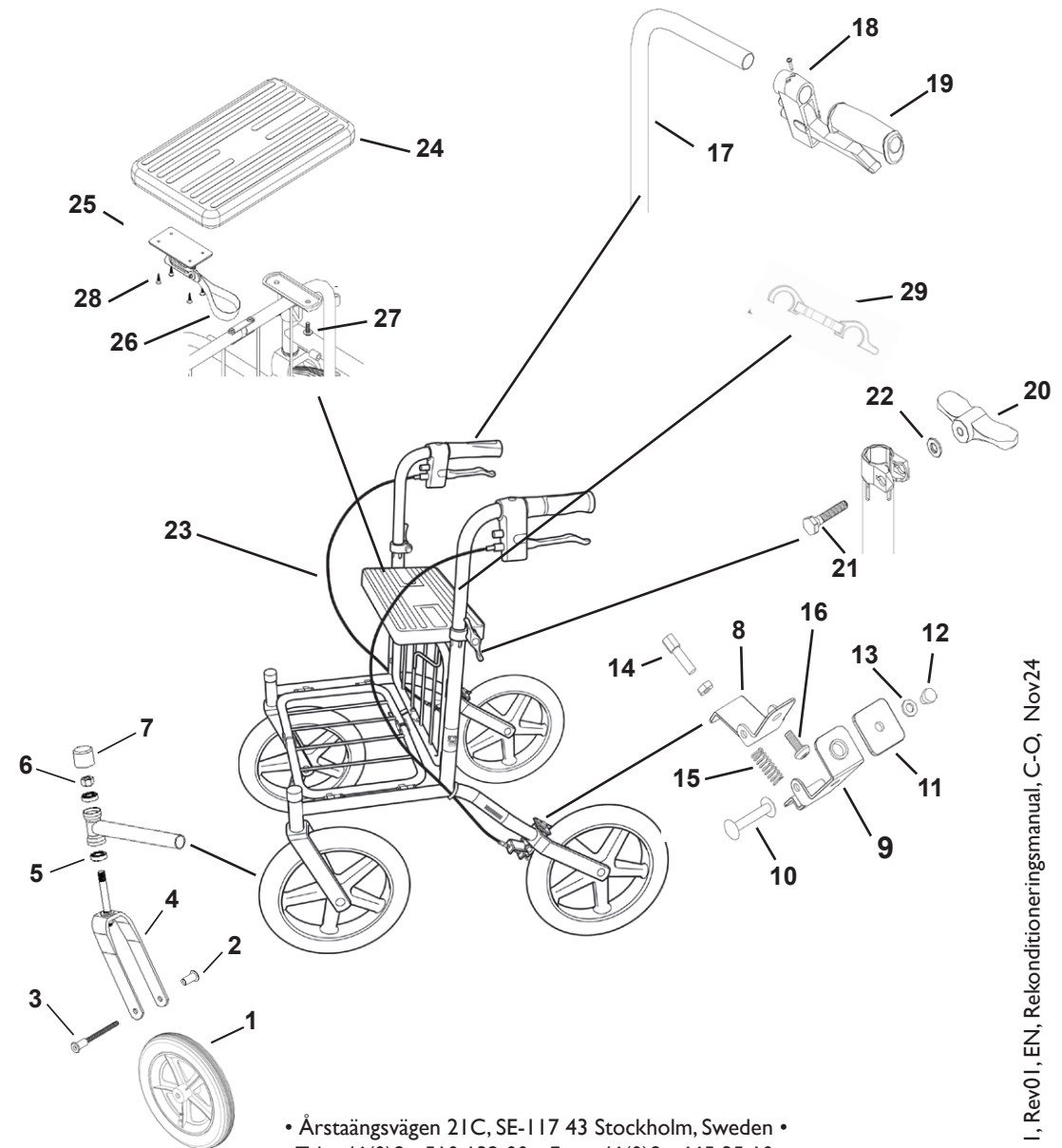
No	Designation	Quantity	Art. no	Other information		
Wheel kit						
1	Complete wheel	1	89010	<i>For Carl-Oskar reinforced use 89089 for rear wheel. Bolt and nut must be exchanged when disassembling the wheel.</i>		
2	Wheel nut	1				
3	Pin bolt	1				
Wheel kit air pumped						
1	Complete wheel	1	89087	<i>For Carl-Oskar reinforced use 89089 for rear wheel. Bolt and nut must be exchanged when disassembling the wheel.</i>		
2	Wheel nut	1				
3	Pin bolt	1				
Pin bolt & wheel nut						
2	Wheel nut	1	89032	<i>For Carl-Oskar reinforced use 89091 for rear wheel. Pin bolt and wheel nut must be exchanged when disassembling.</i>		
3	Pin bolt	1				
Front fork kit						
4	Front fork	1	89085	<i>From 200507 Pin bolt and wheel nut must be exchanged when disassembling the fork.</i>		
2	Wheel nut	1				
3	Pin bolt	1				
5	Bearing	2				
6	Locking nut	1				
7	Hub cover	1				
7	Hub cover	1			00864	
Brake kit						
8	Brake inner part	1	89095	<i>Pin bolt and wheel nut must be exchanged when disassembling the brake. Note! Specific nut and pin bolt for reinforced Carl-Oskar. Add 89091.</i>		
9	Brake outer part	1				
10	Pop nut	1				
11	Wear washer	1				
12	Screw M6x6	1				
13	Washer	1				
14	Adjustment screw	1				
15	Spring	1				
16	Screw M6x16	1				
2	Wheel nut	1				
3	Pin bolt	1				
11	Wear washer	1			10-004	<i>Wear washer turns when worn.</i>
Handle kit						
17	Handle pipe	1			89055	<i>For left and right. Note! Specific handle for Carl-Oskar reinforced. Add 89033.</i>
18	Handle brake complete	1				
19	Handle ERGO	1				
19	Handle ERGO	1	20-024	<i>For Carl-Oskar reinforced use 89033.</i>		
Wing nut complete						
20	Wing nut	1	50937	<i>Lubricate the wing nut when needed.</i>		
21	Screw	1				
22	Washer	1				

RECONDITIONING MANUAL

23	Wire complete		89050	
	Wire housing			
	Wire			
	Wire lock			
	Wire end			
	Seat kit		89020	<i>Not for Carl-Oskar reinforced.</i>
24	Seat			
25	Gate lock			
26	Fold loop			
27	Screw M6x20	2		
28	Screw to gate lock	4		
	Seat complete		89070	<i>Not for Carl-Oskar reinforced.</i>
24	Seat			
27	Screw M6x20	2		
	Tube protection		50949	
26	Fold loop		10-009	
	Gate lock kit		10-018	
25	Gate lock			
28	Screw to gate lock	4		
26	Fold loop			
	Reflex		00028	
	Touch-up paint		F2	

Spareparts reinforced Carl-Oskar (Art. no 61225, 61325, 61425)

	Rear wheel kit		89089	<i>Pin bolt and wheel nut must be exchanged when disassembling the wheel.</i>
1	Complete wheel			
2	Wheel nut			
	Pin bolt			
	Rear wheel kit air pumped		89088	<i>Pin bolt and wheel nut must be exchanged when disassembling the wheel. Tyre pressure max 2,0 bar.</i>
2	Complete wheel			
	Wheel nut			
	Pin bolt			
	Handle		89033	<i>When changing the handle, the upper part of the reinforcement beam must be removed.</i>
	Pin bolt & wheel nut for rear wheel		89091	<i>Pin bolt and wheel nut must be exchanged when disassembling.</i>
2	Wheel nut			
	Pin bolt			



• Årstaängsvägen 21C, SE-117 43 Stockholm, Sweden •
 • Tel. +46(0)8 - 510 132 00 • Fax +46(0)8 - 665 35 10 •
 • www.humancaregroup.com •